

DESCRIPTION & USE

- Premium roof drains for use in all low slope roofs applications
- Compatible with single ply, built-up or modified bitumen roofing membranes
- Available in a 'new construction' design or a 'retrofit' insert design for reroofing applications
- Available in copper and aluminum

FEATURES & BENEFITS

- **A Flatter Flange** - Fits more "wrinkle-free" into the hopper
- **Drainage right down to the Membrane** - 4 open channels on clamping ring and 3 open channels on strainer to allow for maximum water drainage
- **Heavy Duty Construction** - Matt finish, cast aluminum clamping ring and strainer provide exceptional resistance to vandalism. Secured with a stainless steel 1/4" bolt, the strainer design resists loss or theft. Copper hoppers are welded (versus soldered) to resist failure from high temperature roofing torches.
- **Mechanical Membrane Securement** - Heavy duty clamping ring mechanically secures the roofing membrane to the drain.
- **Separate Clamping Ring & Strainer** - Can be removed for cleaning without affecting the clamping ring or membrane seal
- **Full Insulating Value** - Flat, funnel-less design permits rapid drainage without compromising the full thickness of the surrounding roof insulation
- **Choice of Designs** - Bodies are available in a choice of heavy gauge 2.1 mm (0.081") seamless spun aluminum hopper or 24 oz - 0.81 mm (0.032") welded copper.

WARRANTY

This product is warranted against manufacturing defects for a period of 10 years.



TECHNICAL DATA

Physical Dimensions

Strainer Height:	18.5 cm (7.25")
Downspout Length:	30 cm (12")
Flange Diameter:	43 cm (17")

DRAIN SIZES

NEW CONSTRUCTION Model No. / Drain Pipe Size	RETROFIT Model No. / Drain Pipe Size
FSD2 - 2" for 2" Pipe	FSD175 - 1-3/4" for 2" Pipe
FSD3 - 3" for 3" Pipe	FSD275 - 2-3/4" for 3" Pipe
FSD4 - 4" for 4" Pipe	FSD375 - 3-3/4" for 4" Pipe
FSD6 - 6" for 6" Pipe	FSD575 - 5-3/4" for 6" Pipe

Clamping Ring - Average Water Flow = 565 L per hour

Options

Refer to the appropriate data sheet for more information:

- Drain Seal (Maxxflo is recommended)
- Integrated Deck Clamp
- Under Deck Clamp
- Flow Control Insert
- Ballast Guard
- Pre-fabricated Target Patch
- Painted Strainer (White Polyester Powder Coating; Paint Thickness = 3 mm)
- Securement Ring



Example of Flip-Top Painted Strainer

continued on back

Visit our video channels: <https://vimeo.com/channels/lexcoren>

COMMERCIAL BUILDING PRODUCTS

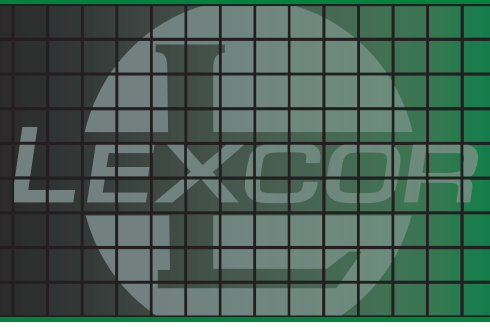
Ontario & Western Canada
1.800.268.2889



Quebec & Eastern Canada
1.800.363.2307

FLASH-TITE

Superdrains



SPECIFICATION

Spec Note: Choose desired choice from alternative options in square brackets.

[New Construction; Retrofit] Drain hopper shall consist a [24 oz - 0.81 mm (0.032") thick spun copper hopper welded to a DWV copper downspout; 2.1 mm (0.081") seamless spun aluminum].

Flange shall be fixed with 4 or 8 clamping ring studs to receive clamping ring and strainer. Strainer and clamping ring shall be fabricated from sand blasted, matt finish, heavy duty cast aluminum. Strainer [polyester based powder coat finish] shall be a 184 mm (7.25") high, secured to the drain clamping ring with a 6 mm (1/4") single stainless steel bolt.

Clamping ring shall have 4 open channels to allow for maximum water drainage.

Drains shall be supplied with [Stainless Steel Ballast Guard; Flow Control Insert].

Drains shall be inserted into the drain pipes as shown on the shop drawings and secured to the deck with the [Integral Deck Clamp (IDC); Under Deck Clamp (UDC)] secured tightly to the underside of the deck. Seal the drain to the drainpipe with the appropriate size [Maxxflo Retrofit Roof Drain Seal; Flash-Tite™ Drain Seals; mechanical joint connector].

Flash the drains into the roofing system in accordance with [NRCA guidelines; CRCA guidelines; the requirements of the roof membrane manufacturer]. Install clamping ring over membrane and secure tightly to the flange with stainless steel nuts and washers.

ACCEPTED PRODUCT: Flash-Tite™ SuperDrain™ by Lexcor (www.lexcor.net, Tel: 800.268.2889, E-Mail: info@lexcor.net).

INSTALLATION

Install the roof insulation and roof membrane, cutting an appropriate sized hole through both materials over the drain pipe. If using a pipe seal, connect it to the SuperDrain downspout. Insert the drain downspout into the drainage pipe, ensuring a proper drain-to-pipe seal.

Adhere the drain hopper flange to the top of the underlying roof membrane using a membrane compatible adhesive. If desired, the drain may also be mechanically fastened to the structural deck with insulation screws (recommended). Fasten 4 screws 25 mm (1") in from the edge of the flange. Alternatively, use the Flash-Tite™ Deck Clamp.

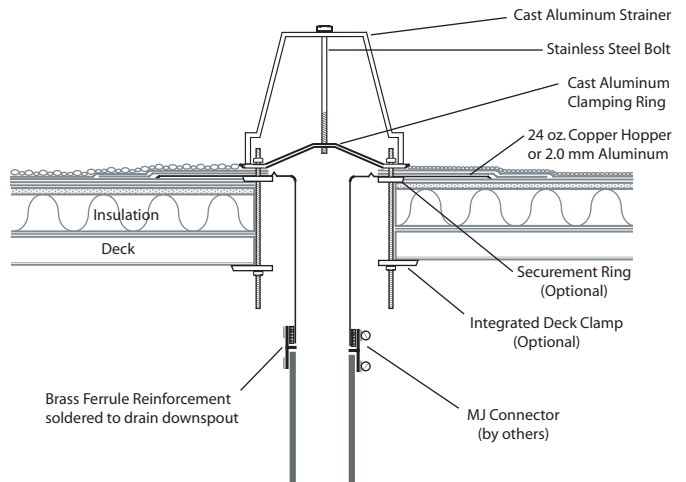
Adhere appropriate membrane flashing overtop of the drain flange, bringing it up to the edge of the downspout. Apply a membrane compatible sealant along the edge of the membrane flashing.

Install any drain accessories as required. Install clamping ring by fastening down 4 to 8 nuts (do not over tight). Tighten the strainer down to the clamping ring with the strainer retaining bolt. Complete membrane flashing detail.

New Construction SuperDrain

Built-Up Roof Flashing

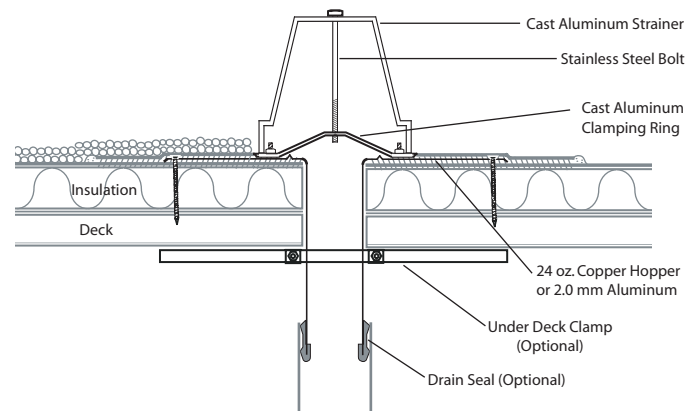
Modified Bitumen Flashing



Retrofit SuperDrain

Built-Up Roof Flashing

Adhered Membrane Flashing



COMMERCIAL BUILDING PRODUCTS

Ontario & Western Canada
1.800.268.2889



Quebec & Eastern Canada
1.800.363.2307