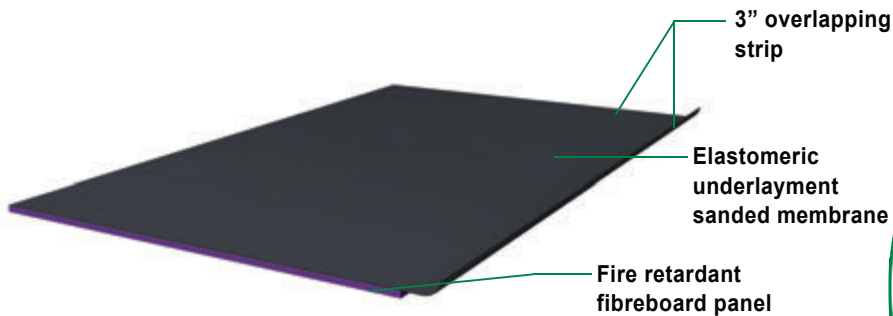


LEXCOR

# LEXBASE FR S

## Impervious Roofing Support Panel



Fire retardant fibreboard panel, factory laminated to an elastomeric underlayment membrane with sanded surface

### ACKNOWLEDGMENTS

**ULC evaluation results:**  
FIRE RESISTANT FIBREBOARD PANEL  
**CAN/ULC-S706 standards**

**FM classification results:**  
FIRE RESISTANT FIBREBOARD PANEL  
Class 1, 4470 Norm

Manufacturer's plant is  
**ISO 9001-2008 certified.**

See reverse for more  
Technical Data

### Features & Benefits

- Easy to handle and to install
- Very good compressive strength
- Versatile, quick and efficient application
- Self-adhesive joints (side lap)
- Surface compatible with fully adhered systems
- Reduces underlayment strain

continued on back

Visit our video channels: <https://vimeo.com/channels/lexcoren>

COMMERCIAL BUILDING PRODUCTS

Ontario & Western Canada  
1.800.268.2889

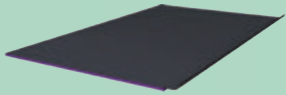


Quebec & Eastern Canada  
1.800.363.2307

lexcor.net

# LEXBASE FR S

IMPERVIOUS ROOFING  
SUPPORT PANEL



## Technical Information

### DIMENSIONS

**Width x Length\*:** 36" x 96" (914 mm x 2438 mm)

**Total Weight of 95FR S:** 33 lbs

**Total Weight of 180FR S:** 35 lbs

**Total Thickness of 95FR S:** 14.9 mm

**Total Thickness of 180FR S:** 14.9 mm

\*Dimensions may vary  $\pm$  2%

REINFORCEMENT MEMBRANE	95 g/m <sup>2</sup> (2.2 mm thick)	180 g/m <sup>2</sup> (2.2 mm thick)
Reinforcement	Glassfibre mat	Nonwoven Polyester
Upper Side	Sanded	Sanded
Cold Flex	Pass, °C (°F) (ASTM D-6163)	Pass, °C (°F) (ASTM D-6164)
Tensile Strength	Pass, kN/m (lbf/in) (ASTM D-6163)	Pass, kN/m (lbf/in) (ASTM D-6164)
Tensile Tear	Pass, N (lbf) (ASTM D-6163)	Pass, N (lbf) (ASTM D-6164)
Ultimate Elongation	Pass, % (ASTM D-6163)	Pass, % (ASTM D-6164)
Tear Strength	Pass, N (lbf) (ONGC-37, 56-M)	Pass, N (lbf) (ONGC-37, 56-M)
Lap Strength, 5D to 23°C	Pass, kN/m (lbf/in) (ONGC-37, 56-M)	Pass, kN/m (lbf/in) (ONGC-37, 56-M)
Strain Energy, 5D to 23°C	N/D	Pass, N (lbf) (ONGC-37, 56-M)
Static Puncture	N/D	Pass, N (lbf) (ONGC-37, 56-M)

FIRE RESISTANT 1/2" (12.70 mm) FIBREBOARD PANEL	
Linear Expansion (ASTM C-209)	0.10 %
Compressive Strength (ASTM C-165) at 10% Deformation	34.8 lbs/in <sup>2</sup>
at 25% Deformation	51 lbs/in <sup>2</sup>
R-Value (ASTM C-518)	1.55 (1/2")
Water Absorption (ASTM C-209)	3.5 %
Density (ASTM D-1037)	14.5 lbs/pi <sup>3</sup> , 232 kg/m <sup>3</sup>
Transversal Force at Break (ASTM C-209)	40 N (9.0 lbs)
Flame Spread (ULC S-102 / ULC S-102.2)	< 25 / < 25
Smoke Development (ULC S-102 / ULC S-102.2)	< 30 / < 30
Tensile Strength, Perpendicular to Surface (ASTM C-209)	761 lbs/ft <sup>2</sup> (min) 36.5 kPa (min)
Parallel to Surface (ASTM C-209)	187 lbs/in <sup>2</sup> (1.29 MPa)

### Storage

To avoid condensation issues or concerns during temperature swings (i.e. hot days, cold nights), it is strongly recommended to cover the product with tarpaulins.

### Application Instructions

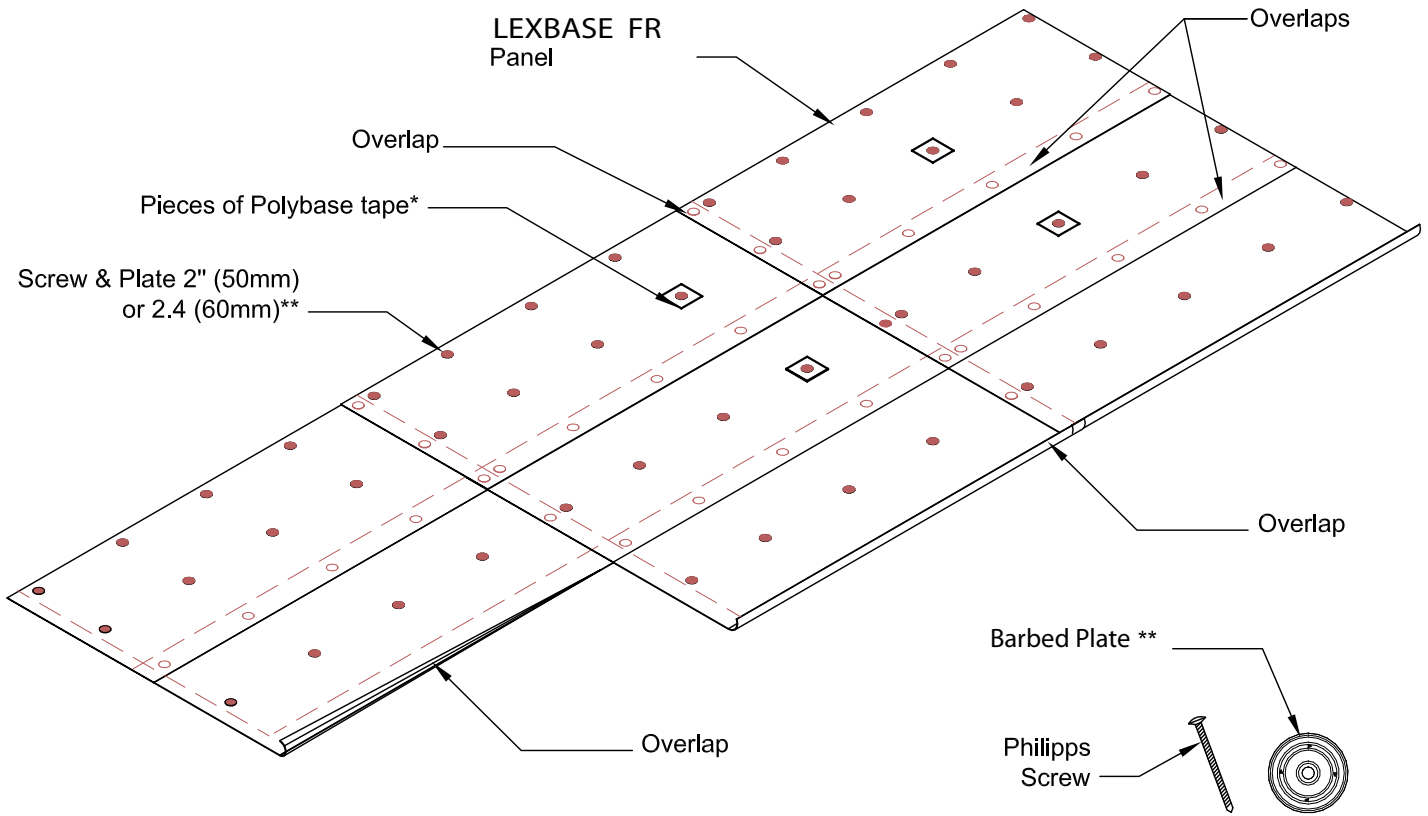
For application or installation instructions of Lexcor's Lexbase FR, please contact a Lexcor Technical Representative.

#### COMMERCIAL BUILDING PRODUCTS

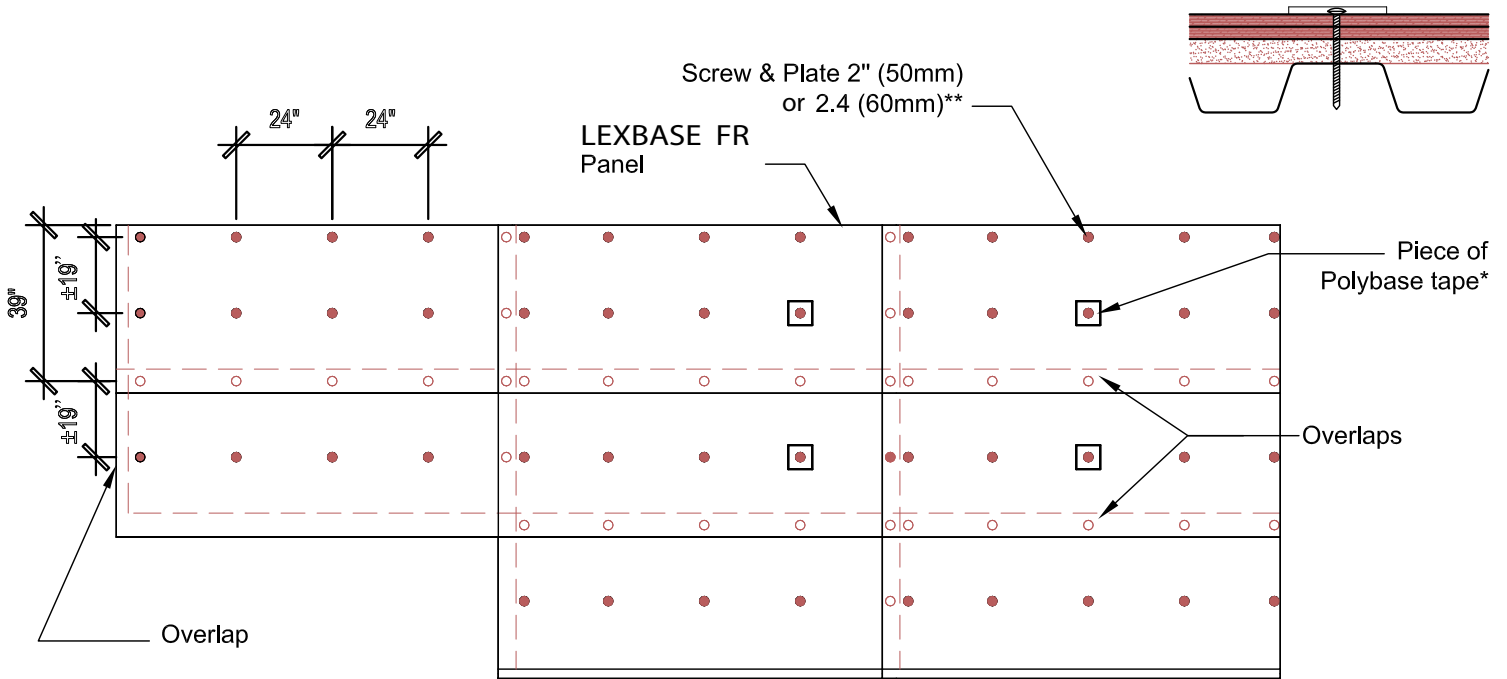
Ontario & Western Canada  
1.800.268.2889



Quebec & Eastern Canada  
1.800.363.2307



\* POLYBASE TAPE pieces are mandatory, even if the finition is done the same day.



\*\* The fasteners/screws must penetrate through steel deck a minimum of 3/4", through wood deck a minimum of 1" and through plywood a minimum of 1/2". For steel deck, the fastener/screw must penetrate in the superior ridge. Use 50 mm (2") or 60 mm (2.4") barbed plate, or as indicated. The fastener/screw must be placed at a minimum of 1" from the border for adequate support.