

LEXCOR

COLD FORM CONTINUOUS SKYLIGHTS

DESCRIPTION

Lexcor Cold Form Continuous Skylights are constructed with a combination of the following:

- Aluminum curb mount frame with an extruded vinyl thermal break
- Sealed acrylic double domes
- Barrel/continuous configuration

Designed for mounting on 3" (75 mm) or 4" (102 mm) curbs with (flashing by others).

Curb mount frames may be mounted to wood or concrete curbs constructed by others.

LEXCOR skylights are supplied to the building site in pre-assembled form where possible, minimizing on-site installation costs.

Flexible design makes it easy to achieve larger daylight openings.



SKYLIGHT GENERAL FEATURES

- A range of standard types, dome colours and sizes to suit virtually any function or aesthetic requirement.
- Custom fabrication is available.
- Free daylighting saving ELECTRIC POWER COSTS.
- Fast installation of pre-assembled units minimizes on-site costs.
- Positive curb frame seal stops wind, rain, snow and dust; pliability of seal permits free expansion of acrylic during atmospheric change; low conductivity of acrylic resists formation of condensation.
- Aesthetically enhances the apparent size of small rooms.
- Acrylic dome materials proven to resist discoloration, hazing and loss of strength in more than a half-century of successful outdoor installations.
- Designed and manufactured in Canada.

USES

- For use on all commercial, industrial, institutional or residential buildings.
- Anywhere you would want to enhance natural light in a given space.

ACRYLIC DOME COLOURS

Domes are offered in a choice of acrylic colour briefly described below:

- White Acrylic (Translucent)
 - For optimum diffused light and control of solar heat. Most popular for day lighting applications and best return on investment for room luminance.
- Clear Acrylic (Colorless)
 - Allows maximum light penetration and permits view of sky. Heat, glare from the sun and privacy should be considered when choosing a clear dome.
- Tinted Bronze
 - Transparent colours reduce interior solar heat gain and control glare while permitting clear vision to outdoors. Bronze tints may make outdoors slightly brighter while actually reducing light intensity.
- Special colours
 - A wide range of transparent and translucent colours are available for special effect.

continued on back

Visit our video channels: <https://vimeo.com/channels/lexcoren>

COMMERCIAL BUILDING PRODUCTS

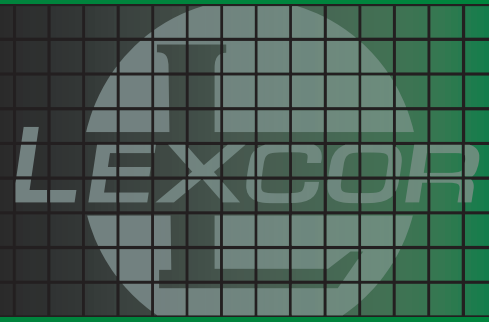
Ontario & Western Canada
1.800.268.2889



Quebec & Eastern Canada
1.800.363.2307

lexcor.net

COLD FORM CONTINUOUS SKYLIGHTS



APPROVALS AND COMPLIANCES

- Engineered to meet or exceed National Building Code live load requirements.
 - CAN/CGSB 63-14-M89
 - CAN/ULCS-102.2
- Meets fire code requirements when tested in accordance with ASTM D-635.

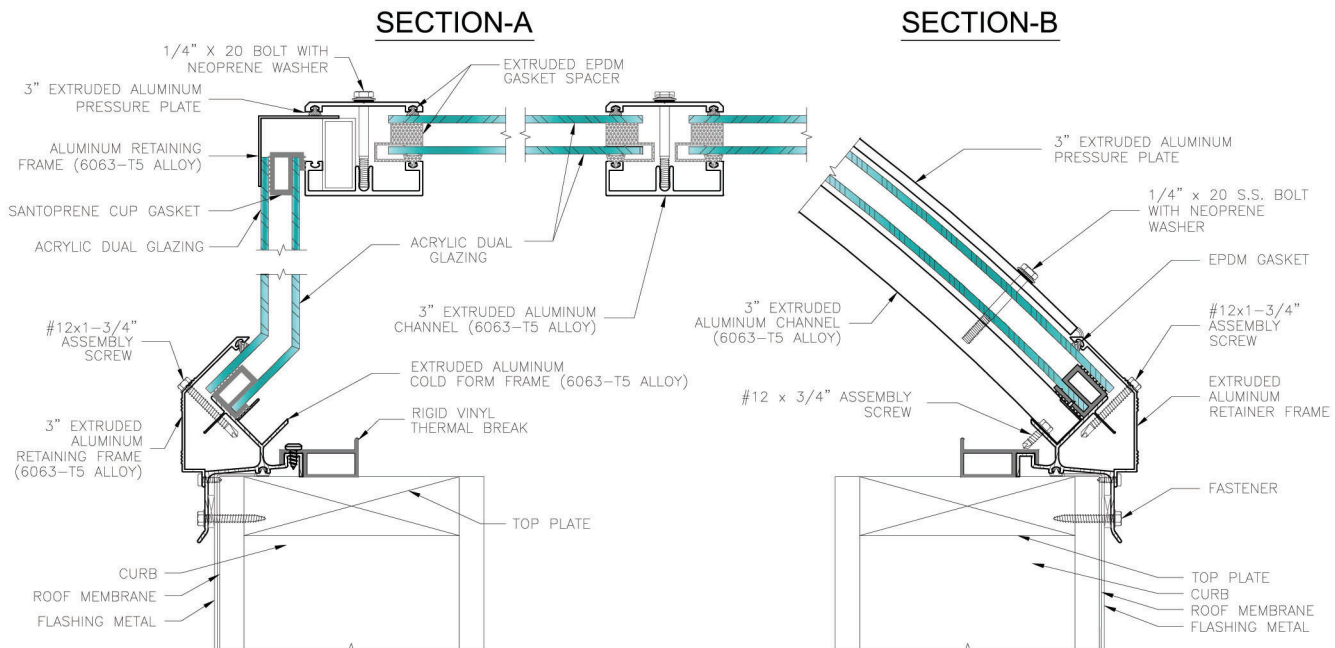
CUSTOM CAPABILITIES

For a custom designed skylight, we recommend that you consult with a Lexcor representative.

SAMPLE SPECIFICATION

Skylight shall be factory assembled Model No. _____, as manufactured by Lexcor Mississauga, Ontario. Glazing shall consist of, double acrylic vertical ends and curved centre drapes of clear, white or bronze.

The skylight shall consist of corrosion resistant extruded aluminum curb frame, 6063-T5 alloy, with heliarc welded corner. The skylight curb frame shall have an extruded rigid vinyl thermal break, which incorporates a high capacity, sloped condensation gutter with drainage to exterior and co-extruded rubber draft seal. The retaining cap frame shall be extruded, mill finish, 6063-T5 aluminum alloy with heliarc welded corners. Mullions shall consist of 3" mill finish, pre-arc'd, extruded aluminum channel and pressure plate of 6063-T5 alloy, with keyed in place Santoprene gaskets and spacers. Channel spacing approximately 4' on centre.



COMMERCIAL BUILDING PRODUCTS

Ontario & Western Canada
1.800.268.2889



Quebec & Eastern Canada
1.800.363.2307